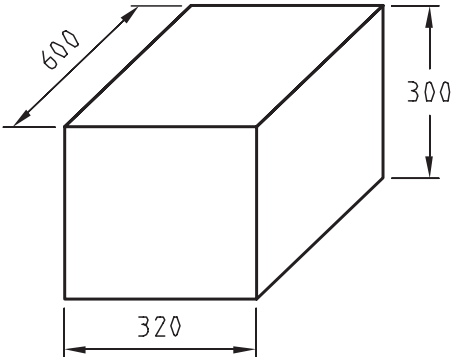


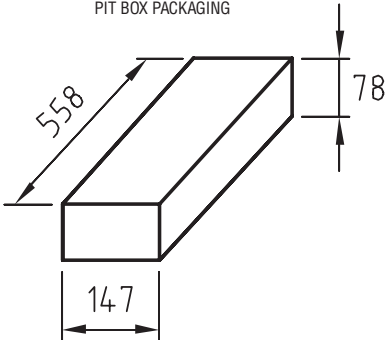
Packaging Specifications Dimensions in mm.

T0202-3

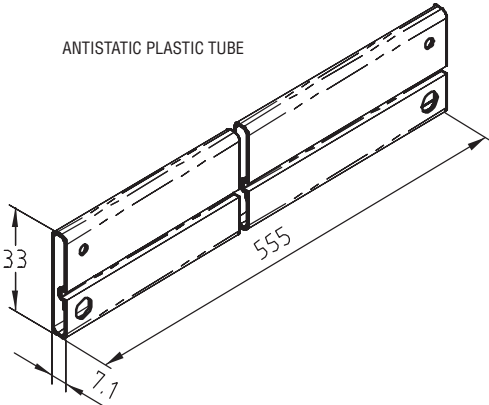
MASTER BOX PACKAGING



PIT BOX PACKAGING



ANTISTATIC PLASTIC TUBE



MATERIALS	QUANTITY
TUBE	50
PIT BOX	1000