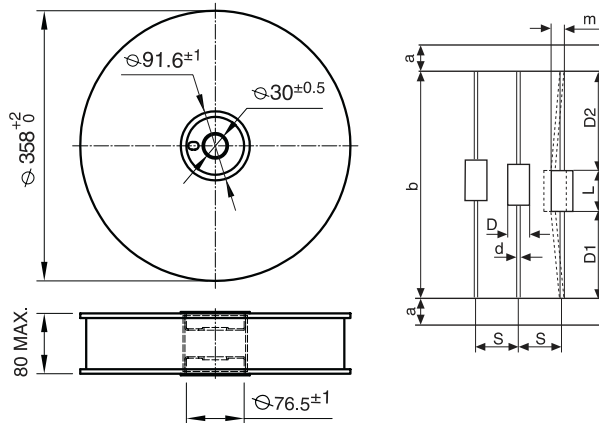


Packaging specifications Dimensions in mm.

AXIAL DEVICES

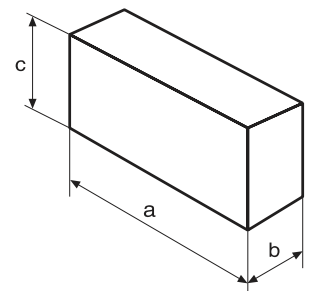
REEL PACKAGING (Suffix TR)
(Under IEC-CEI 286-1 and RS-296 D)

CASE TYPE (OUTLINE)	REEL DIMENSIONS					UNITS PER REEL	APROX. GROSS WEIGHT PER REEL PACKED
	a	b	D1-D2	m	S		
DO-35	6 ±1	53 ±2	1.4 max	1.2	5 ±0.5	10000	2.24 Kg.
DO-41 Mini	6 ±1	53 ±2	1.4 max	1.2	5 ±0.5	5000	1.78 Kg.
DO-41	6 ±1	53 ±2	1.4 max	1.2	5 ±0.5	5000	2.1 Kg.
A-405	6 ±1	53 ±2	1.4 max	1.2	5 ±0.5	5000	1.93 Kg.
DO-15	6 ±1	53 ±2	1.4 max	1.2	5 ±0.5	4000	1.9 Kg.
	6 ±1	53 ±2	1.4 max	1.2	5 ±0.5	3500 *	2.175 Kg. *
DO-201AD	6 ±1	53 ±2	1.4 max	1.2	10 ±0.5	1500	2 Kg.
	6 ±1	53 ±2	1.4 max	1.2	10 ±0.5	1250 *	2.1 Kg. *
DO-201AE	6 ±1	53 ±2	1.4 max	1.2	10 ±0.5	1500	2 Kg.
P-6	6 ±1	53 ±2	1.7 max	1.2	10 ±0.5	800	2.4 Kg.
R-6	6 ±1	52.4 ±1.5	1.4 max	1.2	10 ±0.5	1000	2.4 Kg.



AMMO BOX PACKAGING (SUFFIX "AMP")

CASE TYPE (OUTLINE)	BOX SIZE			AMMO PACK UNIT/BOX	APROX. GROSS WEIGHT/PACKAGE
	a	b	c		
DO-41 Mini	260	90	120	3000 *	0.97 Kg.
DO-41	260	90	120	3000 *	1.3 Kg.
	286	80	152	5000	1.9 Kg.
A-405	260	90	120	3000 *	1.06 Kg.
DO-15	260	90	120	1500 *	0.88 Kg.
	286	80	152	4000	1.7 Kg.
DO-201AD	260	90	120	500 *	0.81 Kg.
	286	80	152	1500	1.8 Kg.
DO-201AE	286	80	152	1500	1.8 Kg.
P-6	286	80	152	400	1.02 Kg.



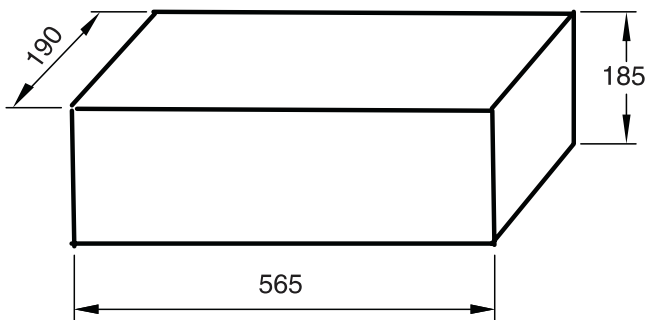
* Only valid for Schottkies.
General tolerance: ±2 mm.

Packaging specifications

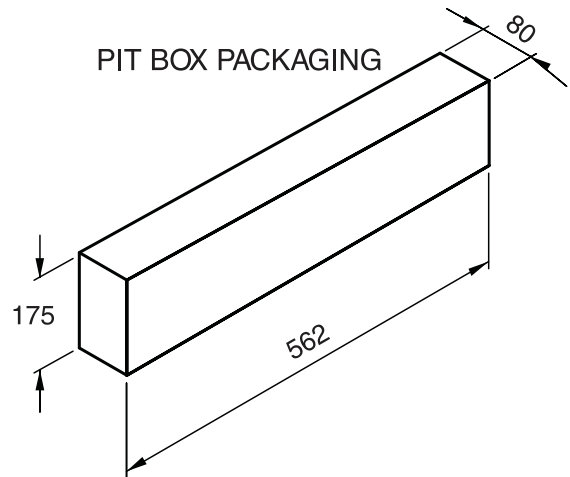
Dimensions in mm.

D2PAK

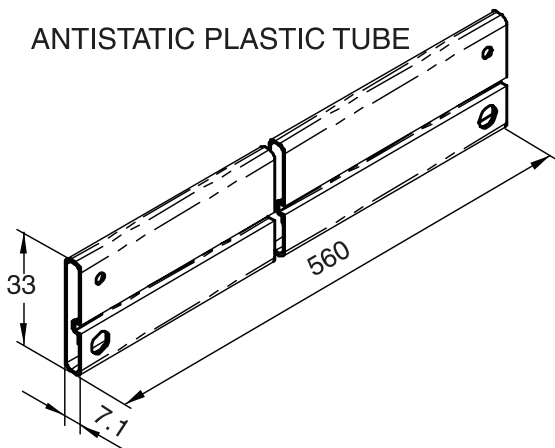
MASTER BOX PACKAGING



PIT BOX PACKAGING

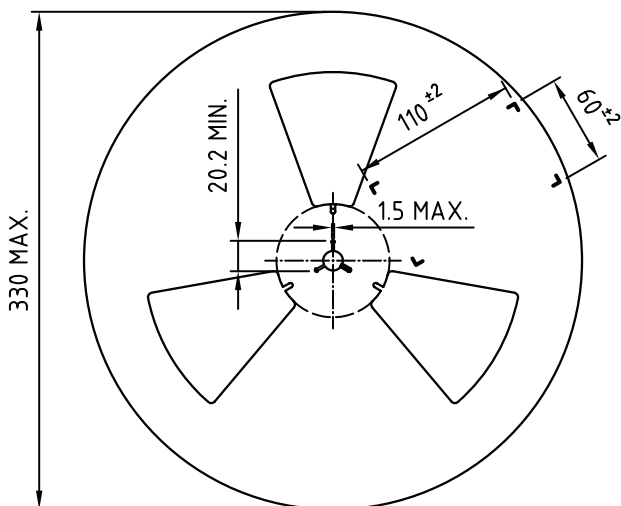


ANTISTATIC PLASTIC TUBE

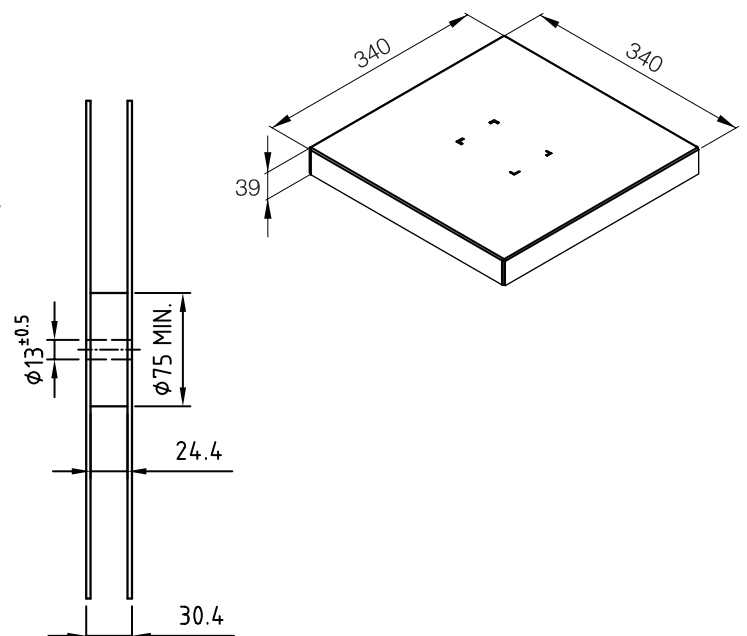


MATERIALS	QUANTITY
TUBE	50
PIT BOX	2000
MASTER BOX	4000

800 pcs REEL



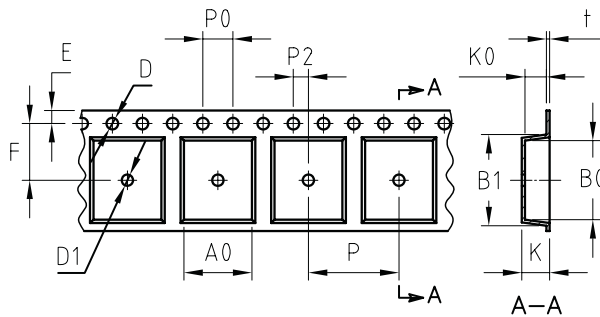
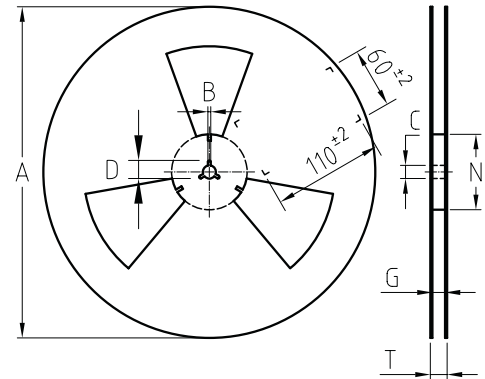
PIZZA BOX



Packaging specifications Dimensions in mm.

DFS / MBS / THIN DFS

Tape Size	A Max.	B Max.	C	D Min.	N Min.	G Max.	T Max.
16mm	330 ±1	2.8 ±0.1	13.3 ±0.1	18 ±0.3	75 ±0.5	12.5 ^{+0.3} ₋₀	17.3

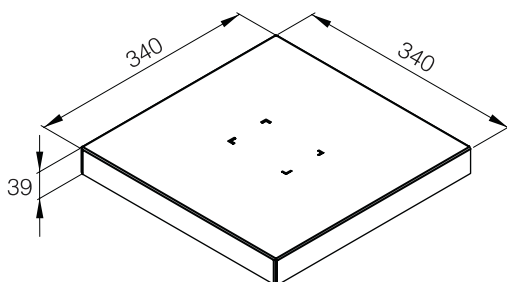
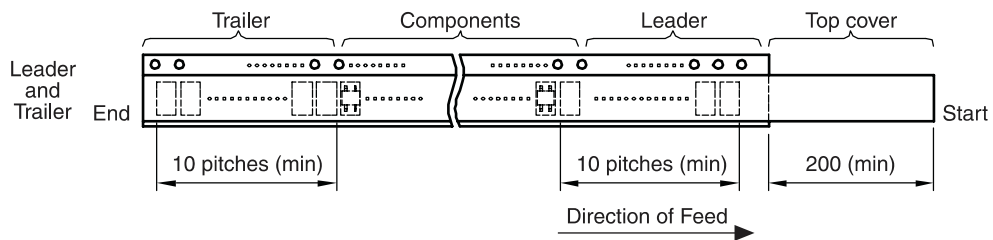


EMBOSED TAPE

Tape Size	D	E	P0	t Max.	A0 B0 K0	P2	CONSTANT DIMENSIONS
16mm	1.55 ±0.05	1.75 ±0.1	4 ±0.1	0.42	SEE NOTE	2 ±0.1	

Tape Size	B1 MAX	D1 MIN	F	K MAX	R MIN	W	P	VARIABLE DIMENSIONS
16mm	12.1	1.5 ±0.1	7.5 ±0.1	3.7	30	16 ±0.3	12 ±0.1	

NOTE: A0, B0, K0 are determined by component size. The clearance between the component and the cavity must be within 0.05mm min. to 0.90mm max. for 16mm tape.
In addition, the components cannot rotate more than 20° within the determined cavity.

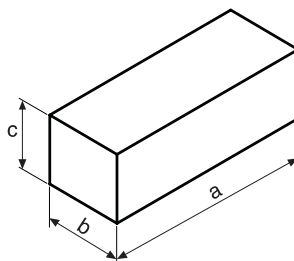


DEVICE TYPE (OUTLINE)	P (mm)	UNITS PER REEL
DFS / MBS / THIN DFS	8	3000
DF15-S	12	1500

FAGOR BRIDGE IN LINE

DEVICE TYPE (OUTLINE)	CARTON SIZE			UNITS PER CARTON	UNITS PER BOX	UNITS PER TUBE/TRAY	APROX. WEIGHT PER CARTON
	a	b	c				
GBL	565	175	185	2400	1200	25	10.20 Kg.
GBU	496	185	240	2000	1000	20	13.60 Kg.
IN LINE BIG	490	180	170	1200	1200	15	12.80 Kg.
IN LINE MEDIUM	555	204	207	2000	1000	20	14.00 Kg.

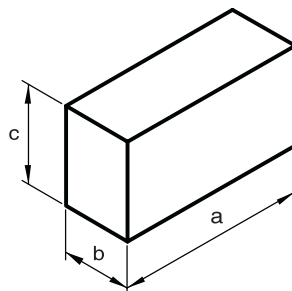
BOX PACKAGING



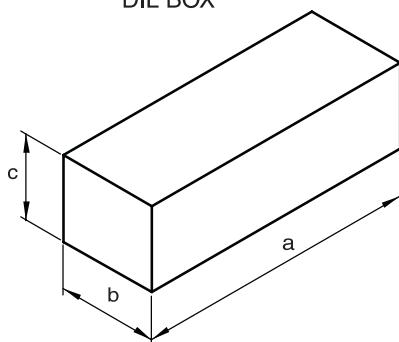
POWER BRIDGES / DUAL IN LINE (DIL) / THIN DFM

DEVICE TYPE (OUTLINE)	BOX SIZE			UNITS PER BOX	UNITS PER TUBE	APROX. WEIGHT PER BOX
	a	b	c			
FB 15 - 25 - 35 - 40 - 50	203	44	203	50		0.50 Kg.
FB 15L - 25L - 35L	203	44	203	50		0.45 Kg.
DF-M / THIN DFM / DIL	465	165	140	5000	50	4.52 Kg.

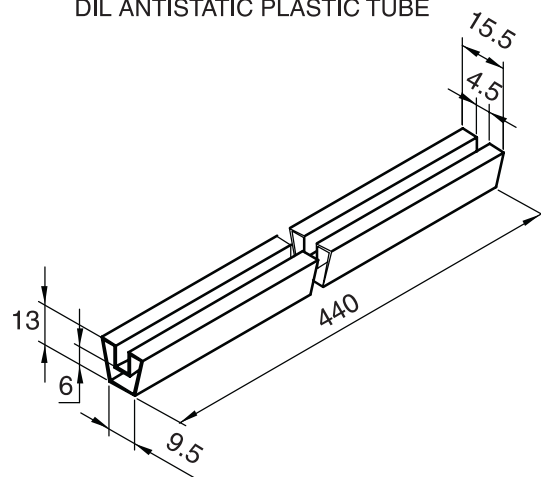
POWER BOX



DIL BOX

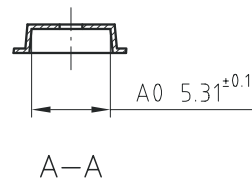
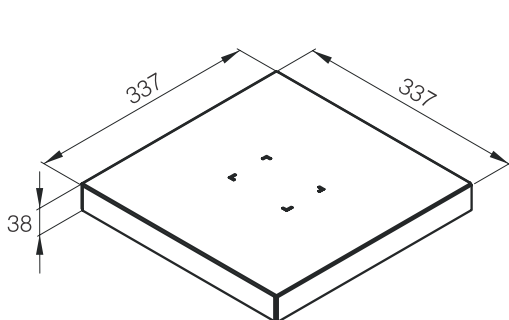
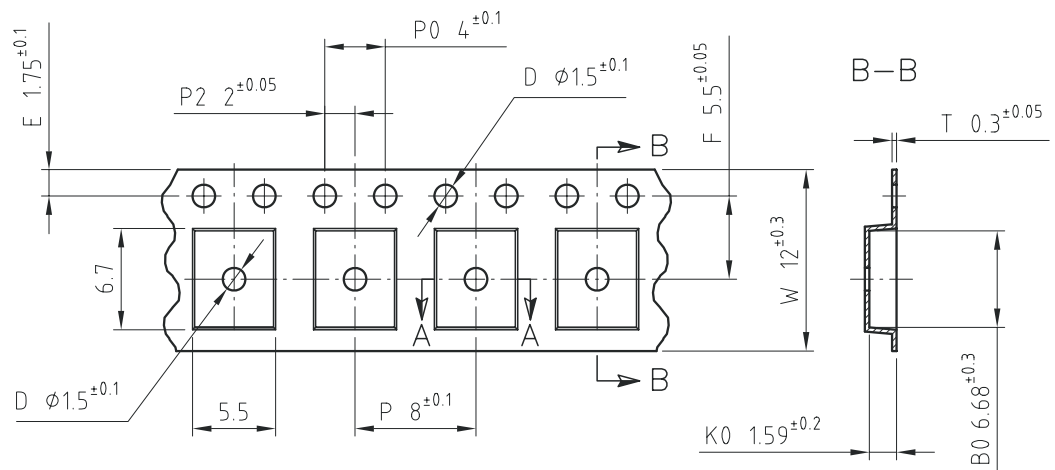
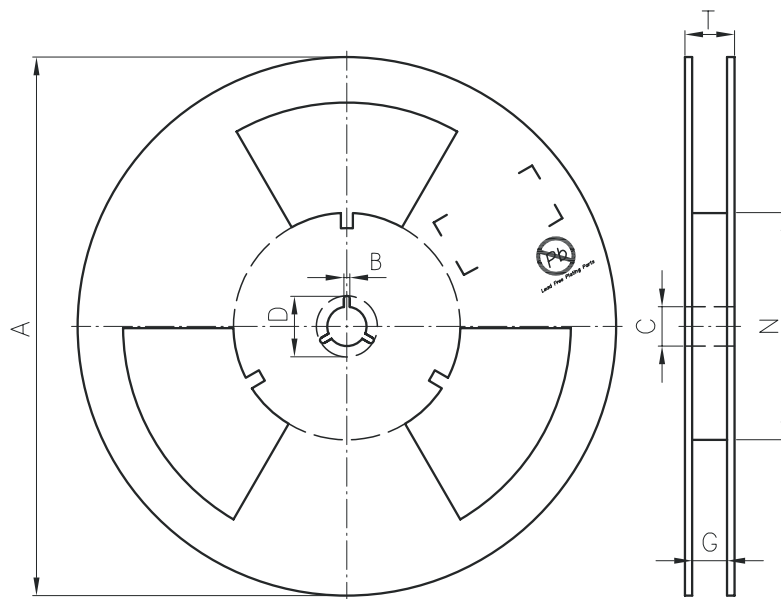


DIL ANTISTATIC PLASTIC TUBE



THIN MINI DIP

Reel Size	Tape Size	A	B	C	D	N	G	T	Label Size	Unit	UNITS PER REEL	APPROX. GROSS WEIGHT PER REEL PACKED
13"	12mm	330 Max	2 ± 0.5	13 ± 0.5	20.2 Min	75 ± 0.5	12.4 ⁺² ₋₀	18.4 Max	100x65 ±2mm	mm	5000	0.4 Kg



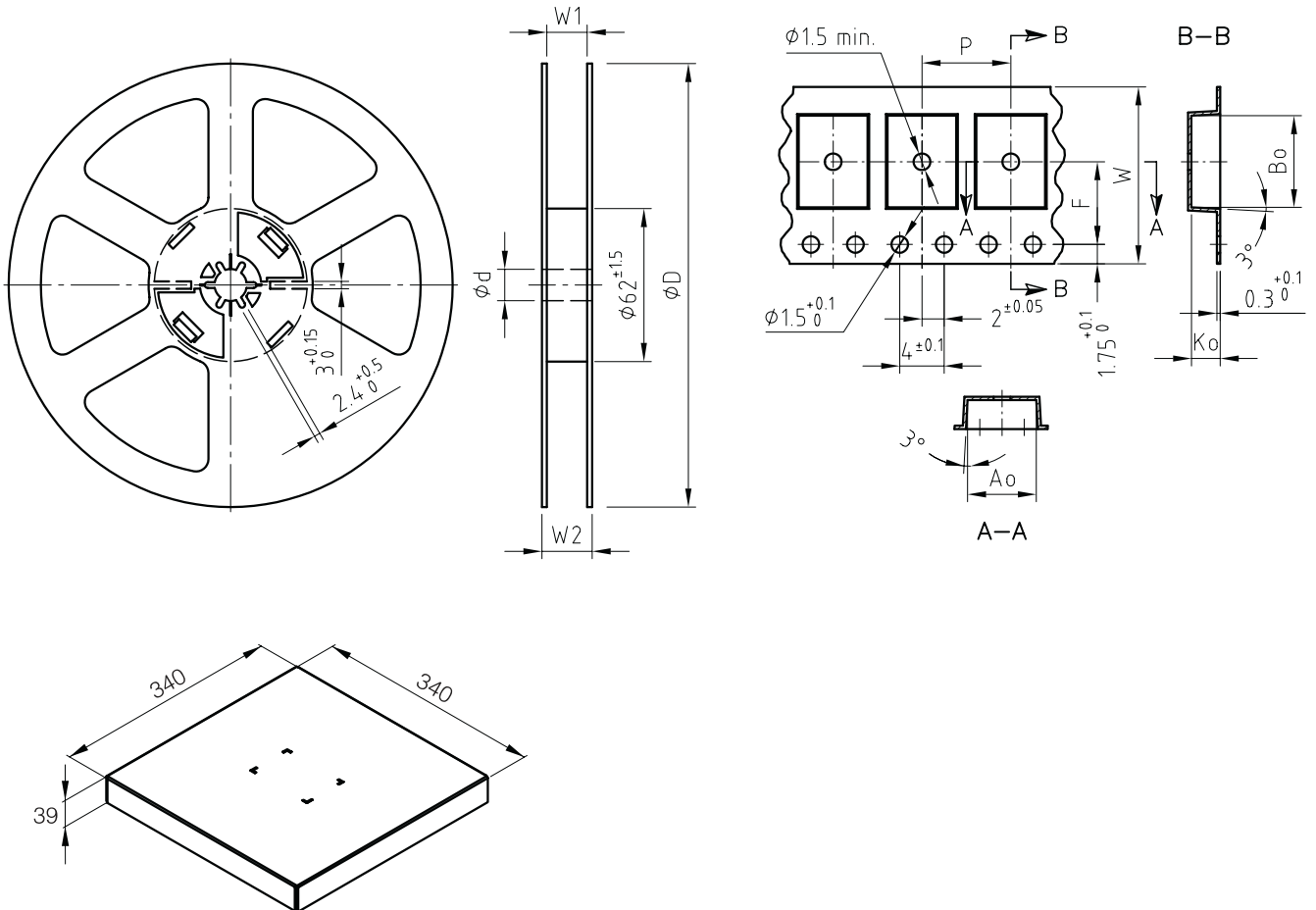
Tape:
 - Width = 13.5±0.1 mm
 - Pull Strength = 20 ~ 70 Kg

Packaging specifications Dimensions in mm.

SMD DEVICES

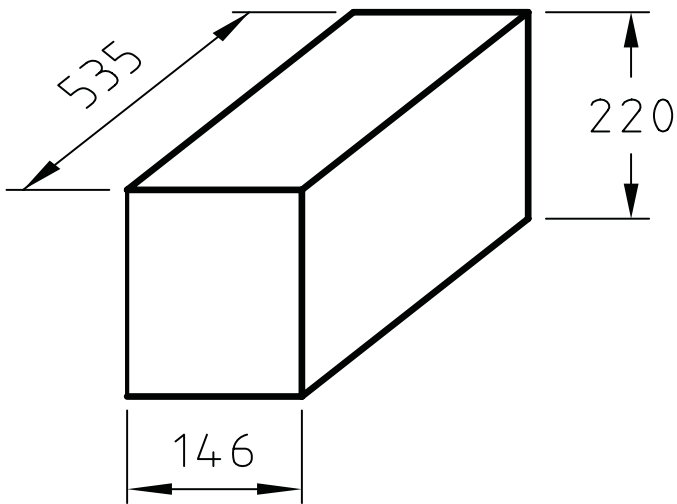
DEVICE TYPE (OUTLINE)	P	W	F	Ao	Ko	Bo	W1	W2	d	D	UNITS PER REEL	PACKAGING CODE	APPROX. GROSS WEIGHT
DO214AC / SMA	4 ± 0.1	12 ± 0.3	5.5 ± 0.05	2.9 ± 0.1	2.4 ± 0.1	5.4 ± 0.1	12.4 ± 0.2	16.4 ± 0.2	12.75 ^{+0.15} ₋₀	330max	7500	TRTB	0.841 Kg.
	4 ± 0.1	12 ± 0.3	5.5 ± 0.05	2.9 ± 0.1	2.4 ± 0.1	5.4 ± 0.1	12.4 ± 0.2	16.4 ± 0.2	12.75 ^{+0.15} ₋₀	180max	1500	TRTS	0.219 Kg.
	4 ± 0.1	12 ± 0.3	5.5 ± 0.05	2.9 ± 0.1	2.4 ± 0.1	5.4 ± 0.1	14.4max	18.4max	13 ± 0.5	330max	7500 *	TRTB	1 Kg.
	4 ± 0.1	12 ± 0.3	5.5 ± 0.05	2.9 ± 0.1	2.4 ± 0.1	5.4 ± 0.1	14.4max	18.4max	13 ± 0.5	180max	1800 *	TRTS	0.29 Kg.
DO214AA / SMB	8 ± 0.1	12 ± 0.3	5.5 ± 0.05	3.8 ± 0.1	2.6 ± 0.1	5.4 ± 0.1	12.4 ± 0.2	16.4 ± 0.2	12.75 ^{+0.15} ₋₀	330max	3200	TRTB	0.613 Kg.
	8 ± 0.1	12 ± 0.3	5.5 ± 0.05	3.8 ± 0.1	2.6 ± 0.1	5.4 ± 0.1	12.4 ± 0.2	16.4 ± 0.2	12.75 ^{+0.15} ₋₀	180max	750	TRTS	0.186 Kg.
	8 ± 0.1	12 ± 0.3	5.5 ± 0.05	3.8 ± 0.1	2.6 ± 0.1	5.4 ± 0.1	14.4max	18.4max	13 ± 0.5	330max	3000 *	TRTB	0.8 Kg.
	8 ± 0.1	12 ± 0.3	5.5 ± 0.05	3.8 ± 0.1	2.6 ± 0.1	5.4 ± 0.1	14.4max	18.4max	13 ± 0.5	180max	850 *	TRTS	0.24 Kg.
DO214AB / SMC	8 ± 0.1	16 ± 0.3	7.5 ± 0.05	6.4 ± 0.1	2.6 ± 0.1	8.4 ± 0.1	16.4 ± 0.2	20.4 ± 0.2	12.75 ^{+0.15} ₋₀	330max	3500	TRTB	1.140 Kg.
	8 ± 0.1	16 ± 0.3	7.5 ± 0.05	6.4 ± 0.1	2.6 ± 0.1	8.4 ± 0.1	16.4 ± 0.2	20.4 ± 0.2	12.75 ^{+0.15} ₋₀	180max	850	TRTS	0.306 Kg.
	8 ± 0.1	16 ± 0.3	7.5 ± 0.05	6.4 ± 0.1	2.6 ± 0.1	8.4 ± 0.1	16.4max	22.4max	13 ± 0.5	330max	3000 *	TRTB	1.2 Kg.
	8 ± 0.1	16 ± 0.3	7.5 ± 0.05	6.4 ± 0.1	2.6 ± 0.1	8.4 ± 0.1	16.4max	22.4max	13 ± 0.5	180max	850 *	TRTS	0.37 Kg.
SOD128	4 ± 0.1	12 ± 0.3	5.5 ± 0.05	2.7 ± 0.1	1.25 ± 0.1	4.95 ± 0.1	12.4 ± 0.2	16.4 ± 0.2	12.75 ^{+0.15} ₋₀	330max	10000	TRTB	0.80 Kg.
SOD123W	4 ± 0.1	8 ± 0.3	3.5 ± 0.05	2.5 ± 0.1	1.25 ± 0.1	3.8 ± 0.1	8.4 ± 0.2	14.4max	13 ^{+0.5} _{-0.2}	330max	10000	TRTB	0.70 Kg.

* Other options available.

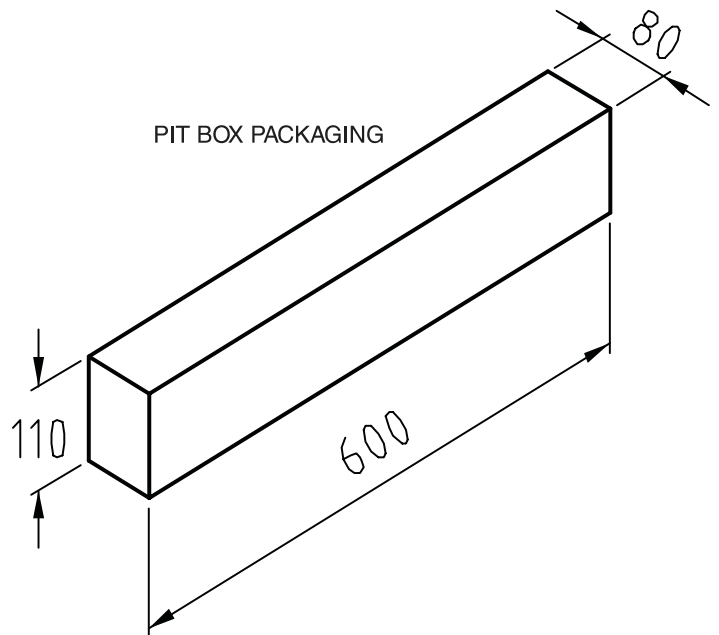


T03P

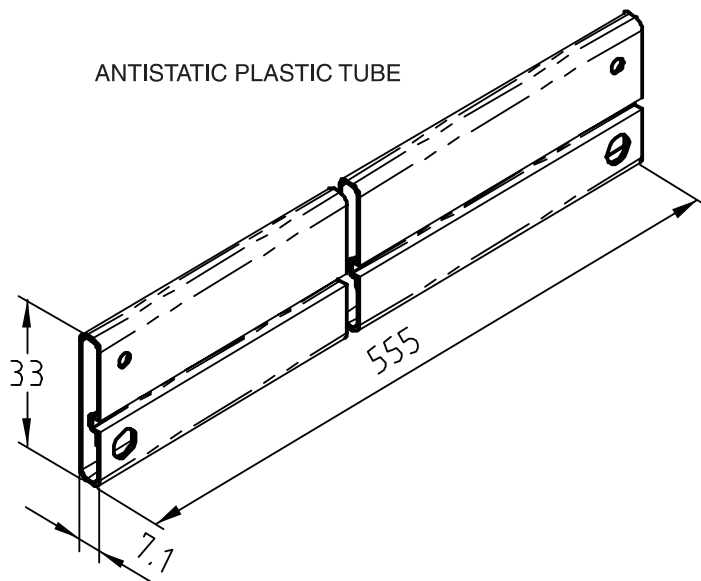
MASTER BOX PACKAGING



PIT BOX PACKAGING



ANTISTATIC PLASTIC TUBE



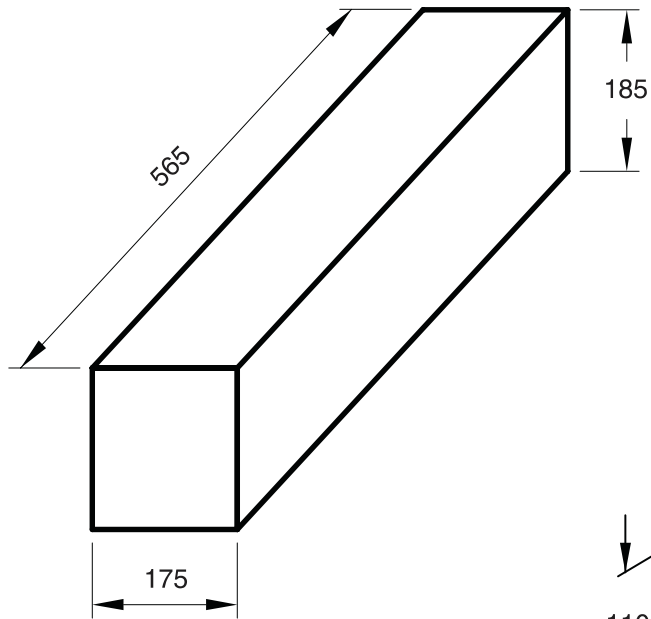
MATERIALS	QUANTITY
TUBE	30
PIT BOX	900
MASTER BOX	1800

Packaging specifications

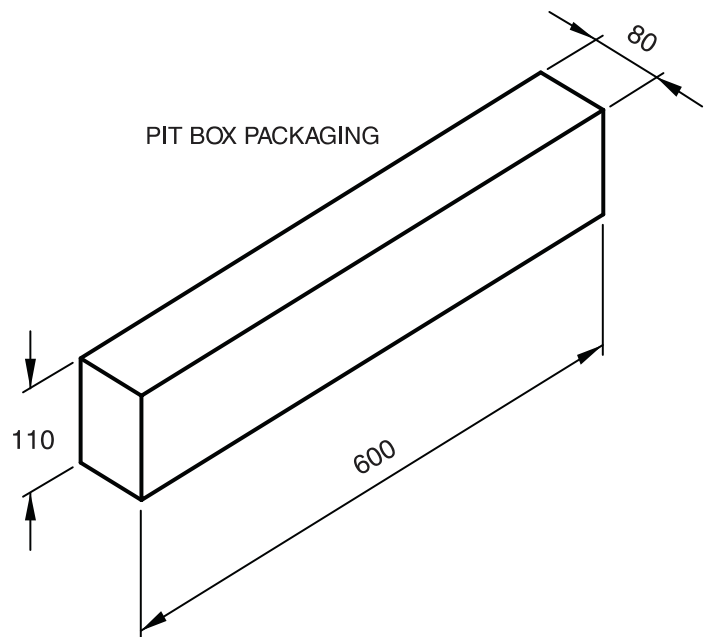
Dimensions in mm.

TO220-AB / TO220-AC / ITO220-AB / ITO220-AC

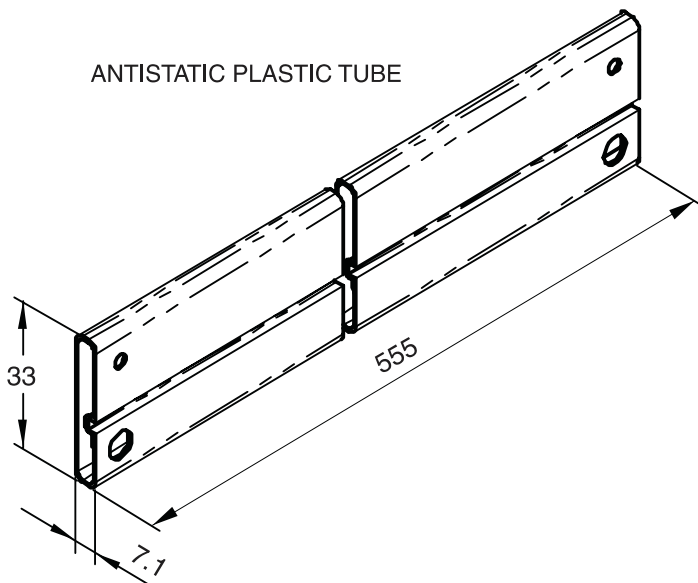
MASTER BOX PACKAGING



PIT BOX PACKAGING



ANTISTATIC PLASTIC TUBE



MATERIALS	QUANTITY
TUBE	50
PIT BOX	2000
MASTER BOX	4000