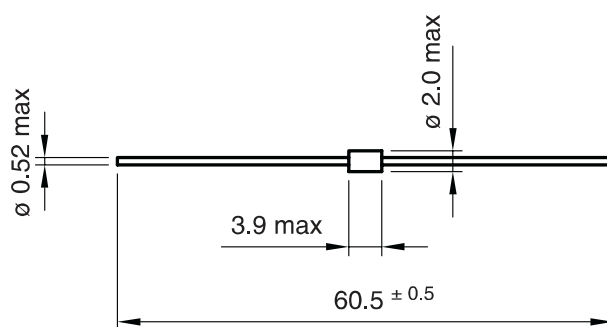
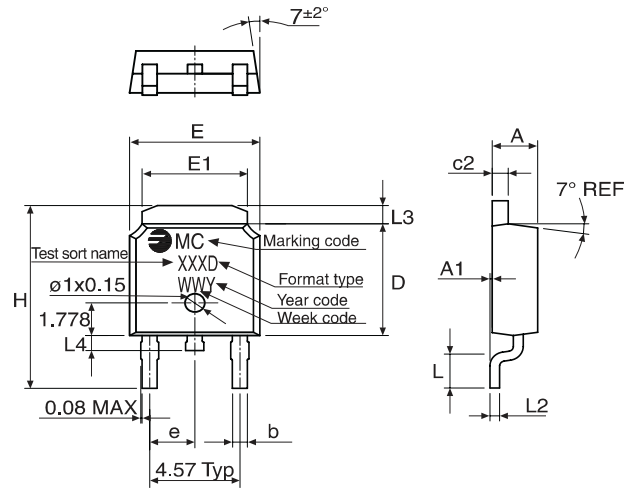


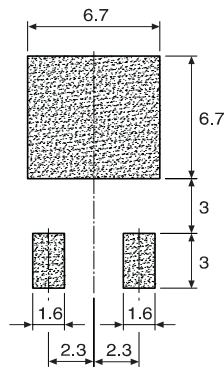
REF.	DIMENSIONS		
	Milimeters		
	Min.	Nominal	Max.
A	4.40	4.45	4.60
A1	2.49	2.50	2.69
A2	0.03	0.10	0.23
B	0.70	0.90	0.93
B2	1.14	1.03	1.70
C	0.45	0.45	0.60
C2	1.23	1.23	1.36
D	8.95	9.00	9.35
E	10.00	10.25	10.40
G	4.88	5.15	5.28
L	15.00	15.40	15.85
L2	1.27	1.27	1.40
L3	1.40	1.55	1.75
M	2.40	3.00	3.20
R	0.40 typ		
V2	0°		8°



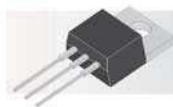
Dimensions in mm



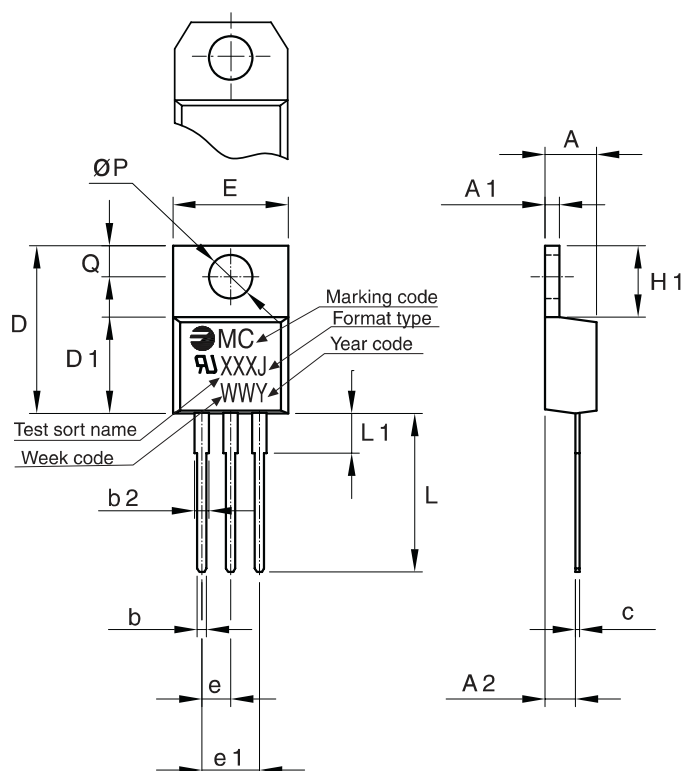
Mounting Pad Layout



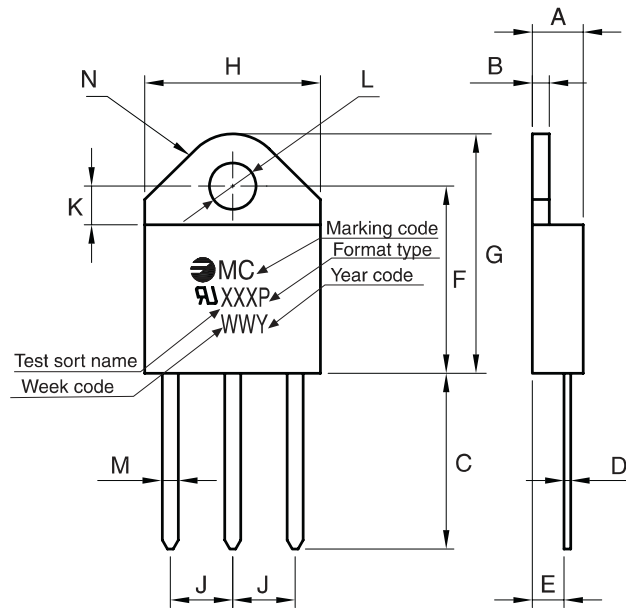
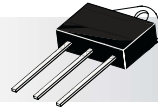
REF.	DIMENSIONS		
	Milimeters		
	Min.	Nominal	Max.
A	2.18	2.3	2.39
A1	0	0.127	0.127
b	0.64	0.75	0.89
c2	0.46	0.51	0.56
D	5.97	6.1	6.22
E	6.47	6.6	6.73
E1	5.20	5.34	5.46
e	2.28BSC		
H	9.77	10.03	10.28
L	1.31	1.44	1.57
L2	0.46	0.51	0.56
L3	0.89	1.02	1.14
L4	0.51	0.76	1.02



Optional with chamfer

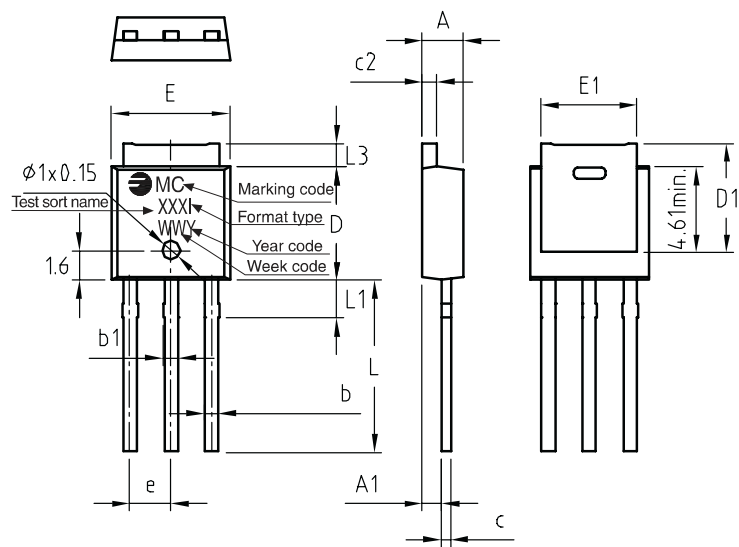


REF.	DIMENSIONS	
	Milimeters	
	Min.	Max.
A	4.32	4.62
A1	1.21	1.29
A2	2.40	2.70
b	0.80	0.83
b2	1.40	--
c	0.42	0.48
D	15.5	15.68
D1	9.26	9.42
E	10.08	10.24
e	2.54	2.54
e1	5.08	5.08
H1	6.24	6.26
L	12.81	13.81
L1	3.28	4.17
P	3.70	3.80
Q	2.75	2.85

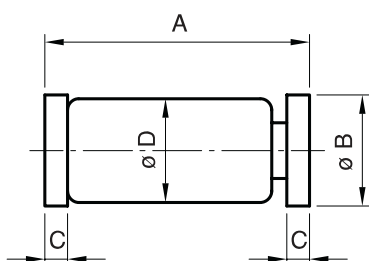


DIMENSIONS (mm)

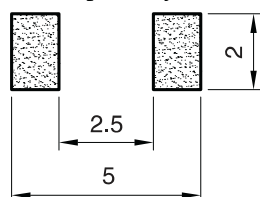
	A	B	C	D	E	F	G	H	J	K	L	M	N
MAX	4.6	1.55	15.6	0.7	2.9	16.5	21.1	15.5	5.65	3.65	4.17	1.40	
TYP													4.60
MIN	4.4	1.45	14.35	0.5	2.7	15.8	20.4	15.1	5.4	3.4	4.08	1.20	



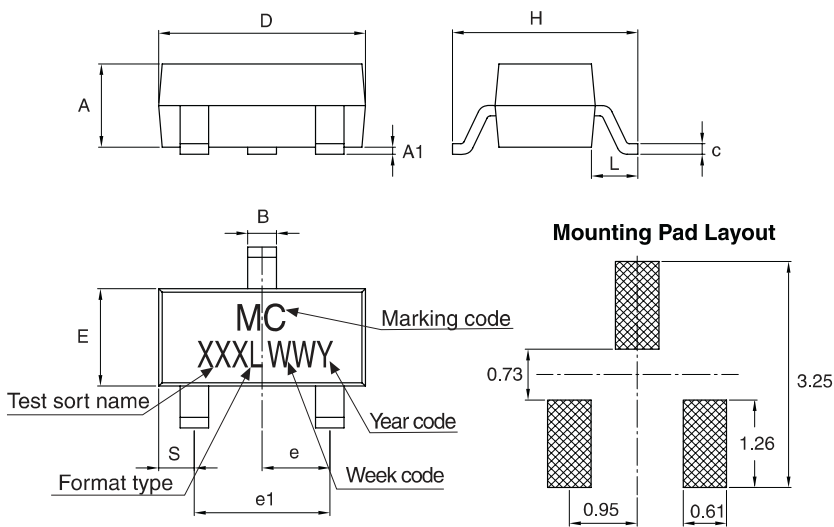
REF.	DIMENSIONS		
	Milimeters		
	Min.	Nominal	Max.
A	2.19	2.30 ± 0.11	2.41
A1	0.89	1.08 ± 0.19	1.27
b	0.50	0.70 ± 0.20	0.90
b1	0.70	0.92 ± 0.22	1.14
c	0.43	0.51 ± 0.08	0.59
c2	0.43	0.62 ± 0.19	0.81
D	5.40	5.81 ± 0.41	6.22
D1	5.70	5.90 ± 0.20	6.10
E	6.35	6.54 ± 0.19	6.73
E1	5.20	5.33 ± 0.13	5.46
e	2.25	2.30 ± 0.05	2.35
L	7.50	8.58 ± 1.08	9.66
L1	1.90	2.10 ± 0.20	2.28
L3	0.89	1.27 ± 0.38	1.65



Mounting Pad Layout



REF.	DIMENSIONS		
	Milimeters		
	Min.	Typ.	Max.
A	3.30	3.50	3.70
B	1.40	1.50	1.60
C	0.35	0.45	0.55
D	1.35	1.40	1.40



REF.	DIMENSIONS	
	Milimeters	
	Min.	Max.
A	0.89	1.4
A1	0.05	0.15
B	0.3	0.51
c	0.080	0.18
D	2.75	3.04
e	0.85	1.05
e1	1.7	2.1
E	1.2	1.6
H	2.1	2.75
L	0.40	0.70
S	0.45	0.65

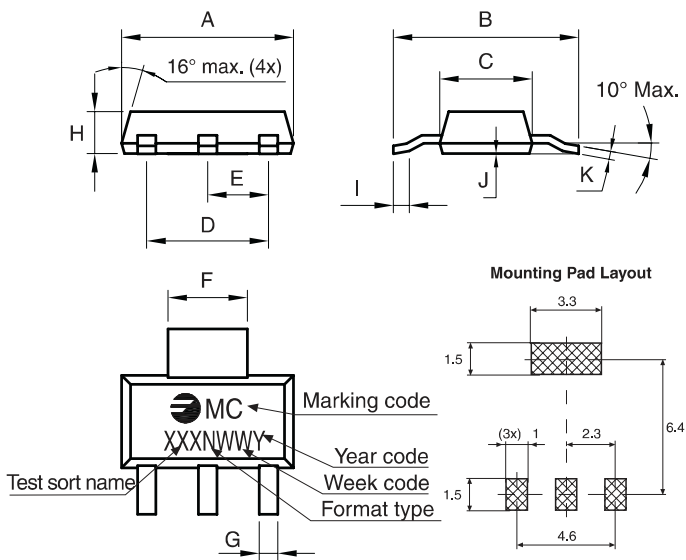
Dimensions in mm



## Package Outline

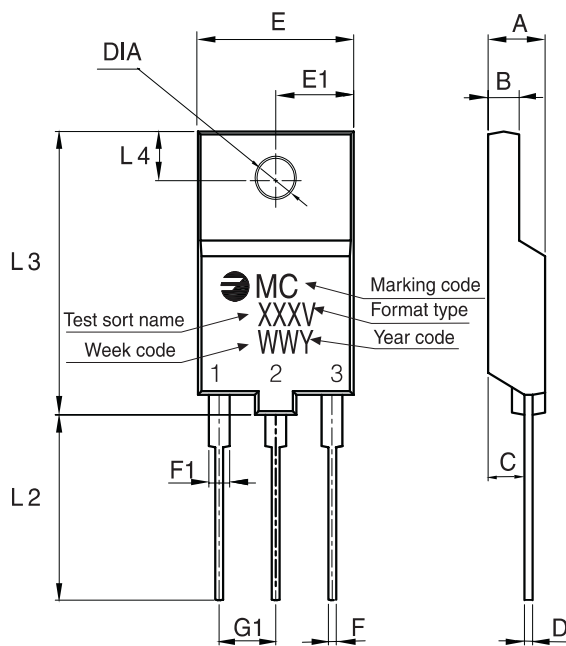
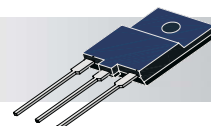


TO-261AA (SOT-223)



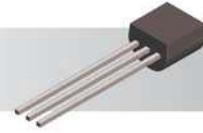
REF.	DIMENSIONS		
	Milimeters		
	Min.	Nominal	Max.
A	6.30	6.50	6.70
B	6.70	7.00	7.30
C	3.30	3.50	3.70
D	-	4.60	-
E	-	2.30	-
F	2.95	3.00	3.15
G	0.65	0.70	0.85
H	1.50	1.60	1.70
I	0.50	0.60	0.70
J	-	0.02	0.05
K	0.25	0.30	0.35

Dimensions in mm



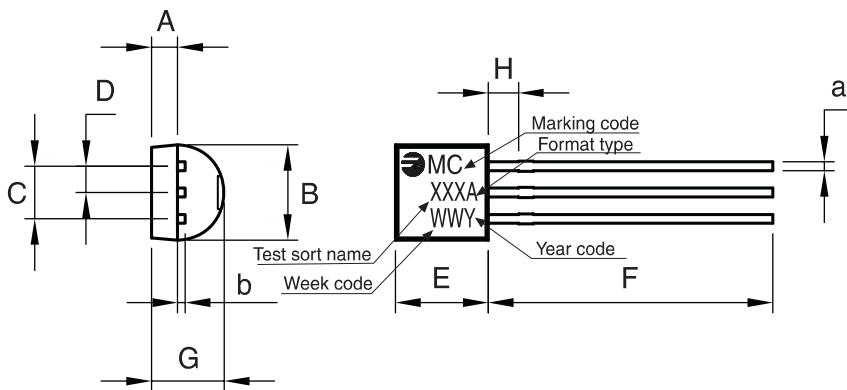
REF.	DIMENSIONS	
	Milimeters	
	Min.	Max.
A	4.90	5.5
B	2.5	3.0
C	3.3	3.6
D	0.6	0.9
E	15.0	15.5
E1	7.5	7.75
F	0.65	0.75
F1	1.7	2.0
G1	5.2	5.7
L2	16.5	17.0
L3	2.6	26.5
L4	4.25	4.75
DIA	3.35	3.85

## Package Outline



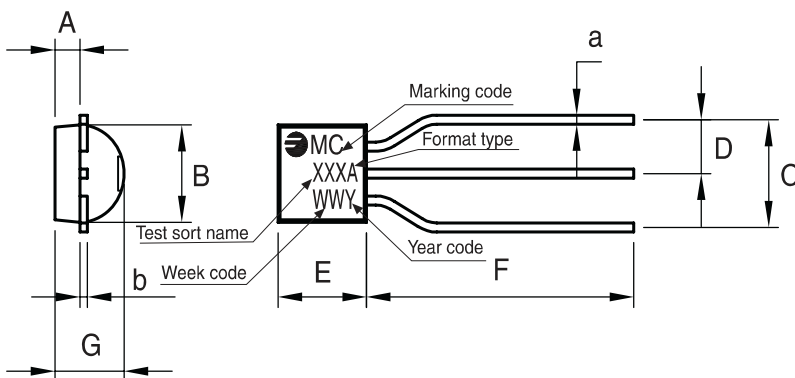
TO-92

### TO-92

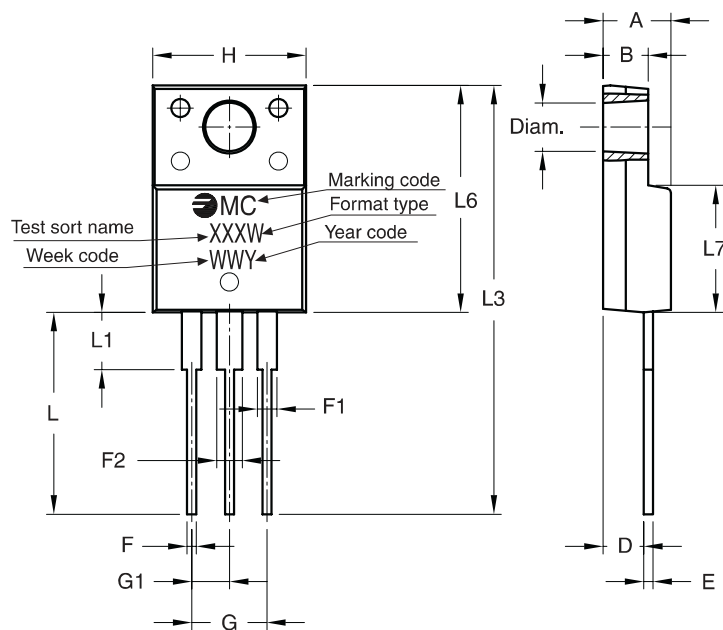


REF.	DIMENSIONS		
	Millimeters		
	Min.	Typ.	Max.
A	0.90	1.20	1.50
B	4.40	4.60	4.80
C	2.34	2.54	2.74
D	1.07	1.27	1.47
E	4.40	4.60	4.80
F	12.70	14.10	15.50
G	3.40	3.60	3.86
H	1.30	1.50	1.70
a	0.38	0.44	0.51
b	0.33	0.41	0.51

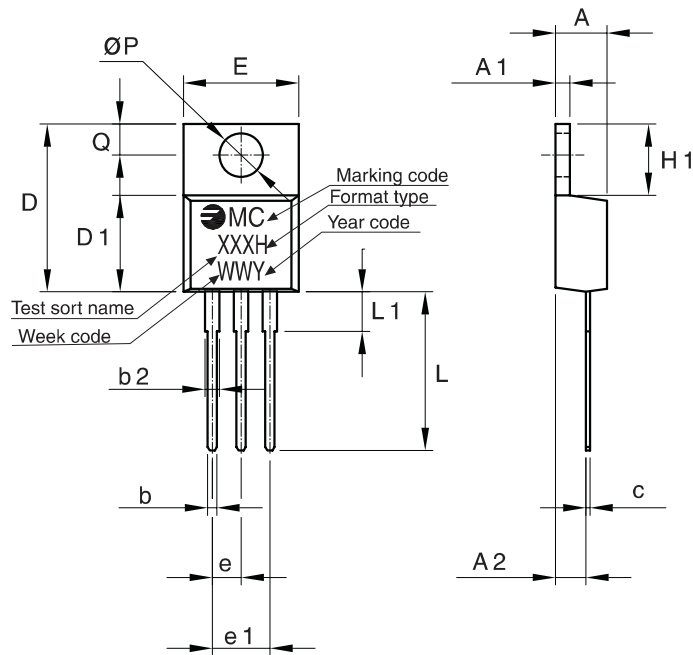
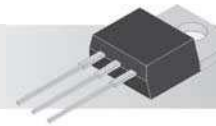
### TO-92 (AMMO)



REF.	DIMENSIONS		
	Millimeters		
	Min.	Typ.	Max.
A	0.90	1.20	1.50
B	4.40	4.60	4.80
C	4.96	5.08	5.20
D	2.42	2.54	2.66
E	4.40	4.60	4.80
F	12.70	14.10	15.50
G	3.40	3.60	3.86
H	1.30	1.50	1.70
a	0.38	0.44	0.51
b	0.33	0.41	0.51



REF.	DIMENSIONS		
	Milimeters		
	Min.	Nominal	Max.
A	3.55	4.50	4.90
B	2.34	3.00	3.70
D	2.03	2.70	2.96
E	0.35	0.60	0.70
F	0.25	0.60	1.01
F1	0.70	1.30	1.78
F2	0.70	1.70	1.78
G	4.88	5.00	5.28
G1	2.34	2.50	2.74
H	9.65	10.15	10.67
L	12.70	13.35	14.73
L1	2.93	3.75	6.35
L3	26.90	28.35	31.20
L6	14.22	15.00	16.50
L7	8.30	8.40	9.59
Diam.	3.00	3.20	3.28



REF.	DIMENSIONS	
	Milimeters	
	Min.	Max.
A	4.47	4.67
A1	1.17	1.37
A2	2.52	2.82
b	0.71	0.91
b2	1.17	1.37
c	0.31	0.53
D	14.65	15.35
D1	8.50	8.90
E	10.01	10.36
e	2.51	2.57
e1	4.98	5.18
H1	6.15	6.45
L	13.40	13.96
L1	3.56	3.96
P	3.735	3.935
Q	2.59	2.89