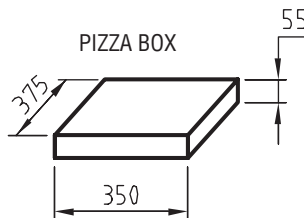
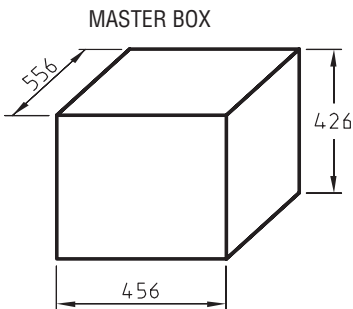
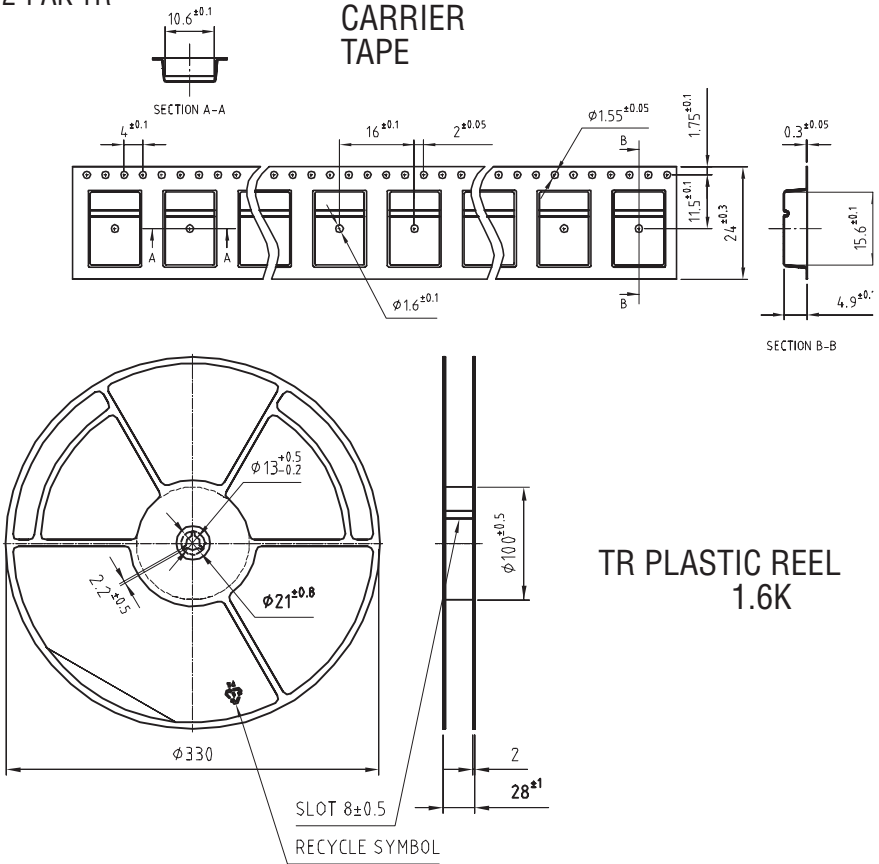
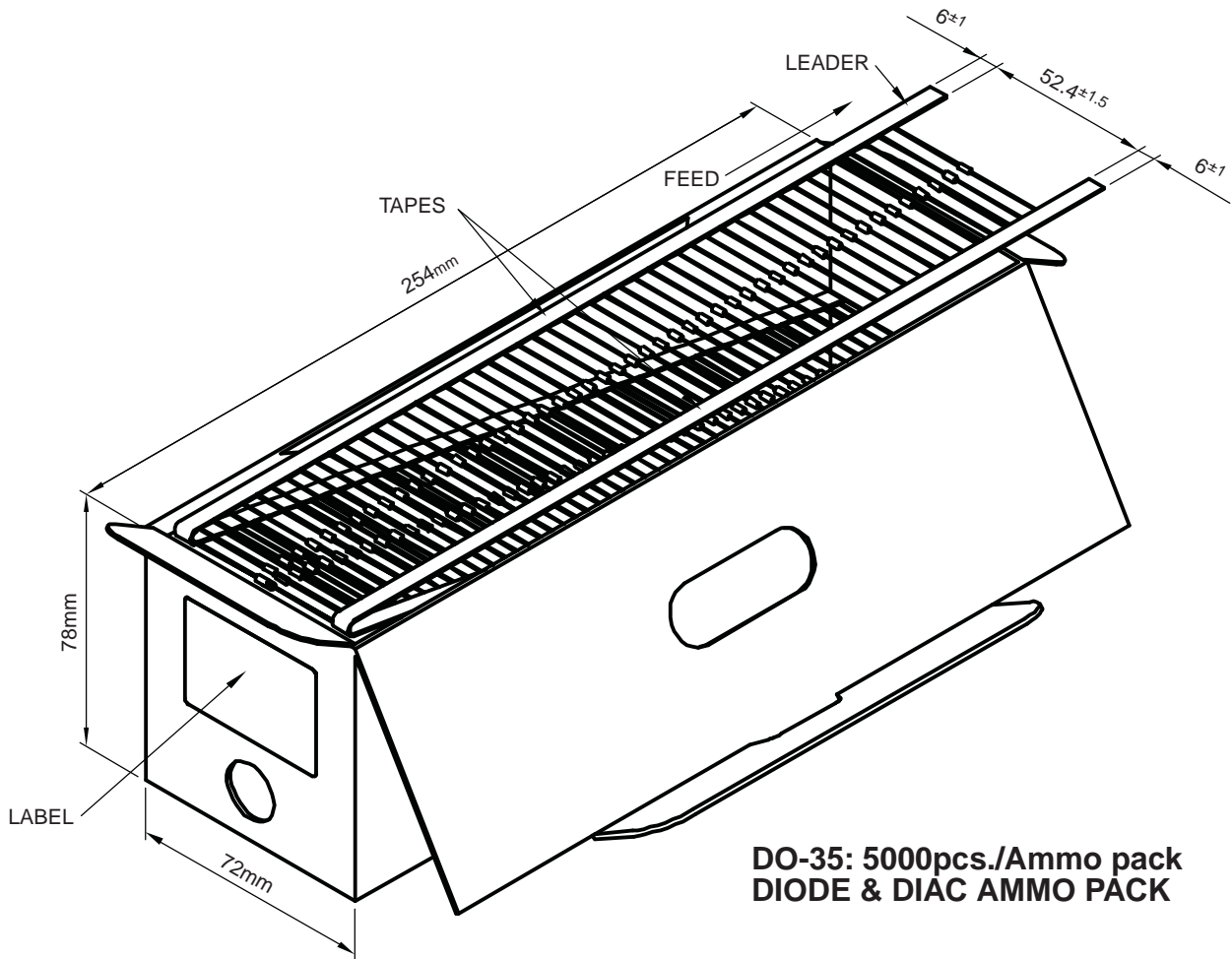


D2-PAK TR

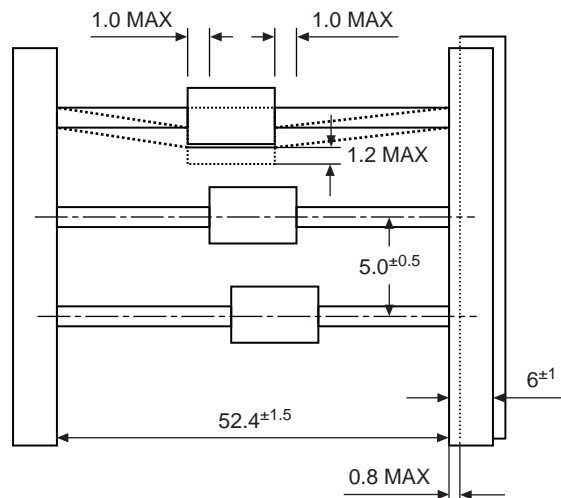


**TR BOX  
PACKAGING**

**Packaging specifications** **Dimensions in mm.**

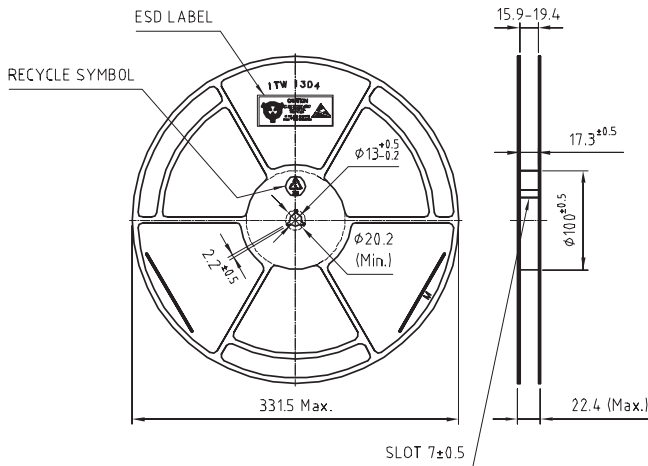
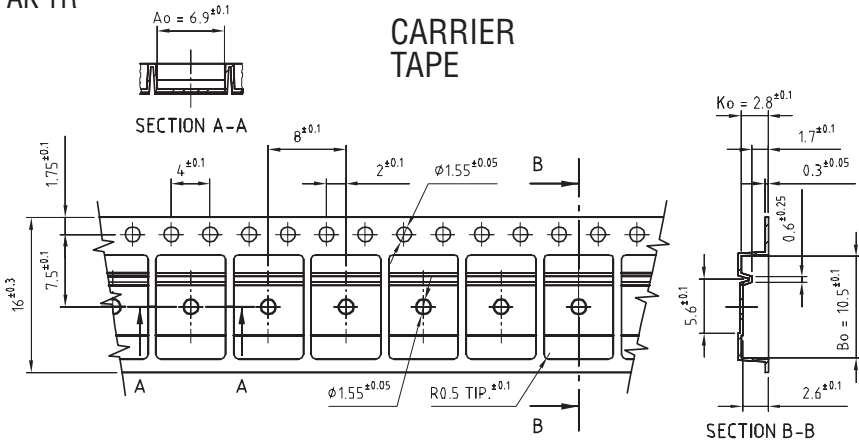


**DO-35: 5000pcs./Ammo pack  
DIODE & DIAC AMMO PACK**

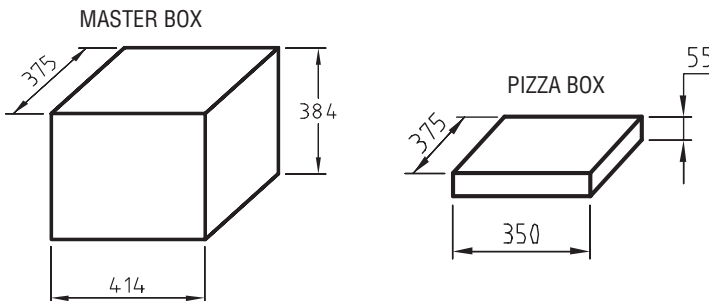


All dimensions in mm.

D-PAK TR



TR PLASTIC REEL  
2.5K



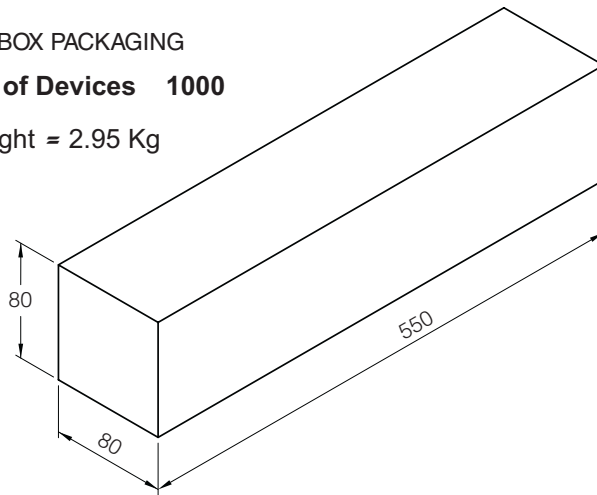
TR BOX  
PACKAGING

INSULATED TO-220AB

BOX PACKAGING

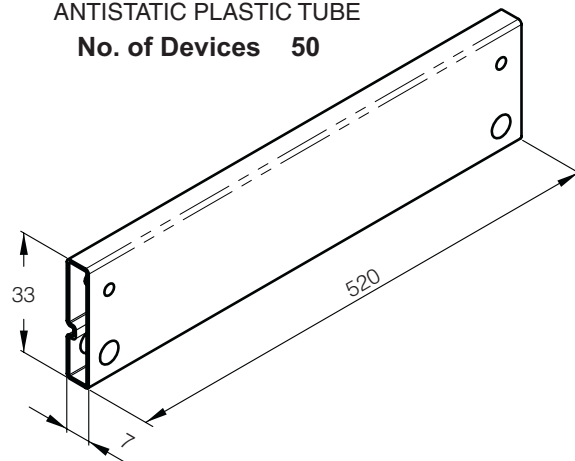
**No. of Devices 1000**

Weight = 2.95 Kg



ANTISTATIC PLASTIC TUBE

**No. of Devices 50**

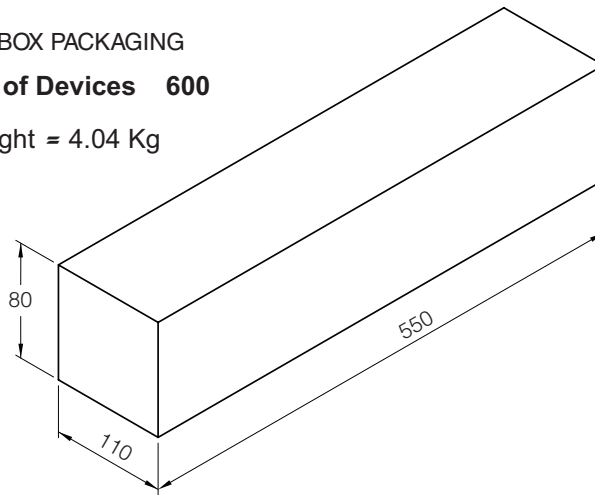


INSULATED TO3P

BOX PACKAGING

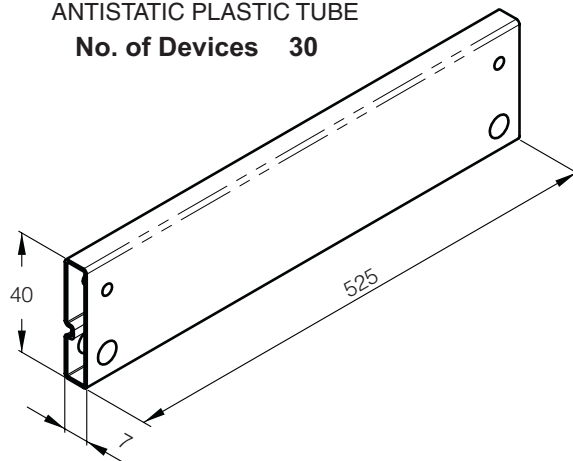
**No. of Devices 600**

Weight = 4.04 Kg



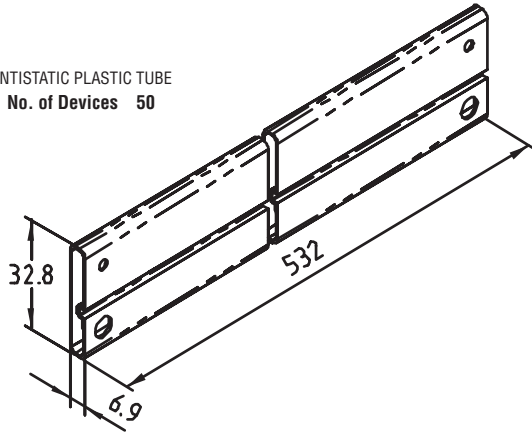
ANTISTATIC PLASTIC TUBE

**No. of Devices 30**

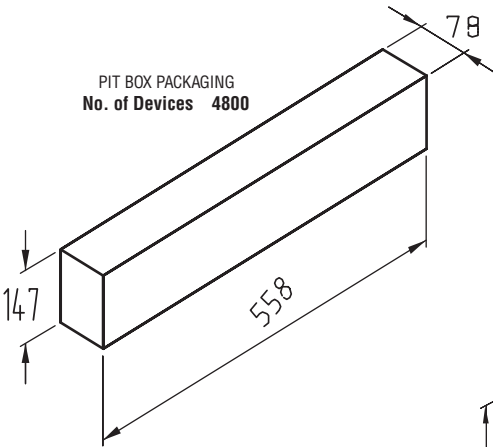


IPAK

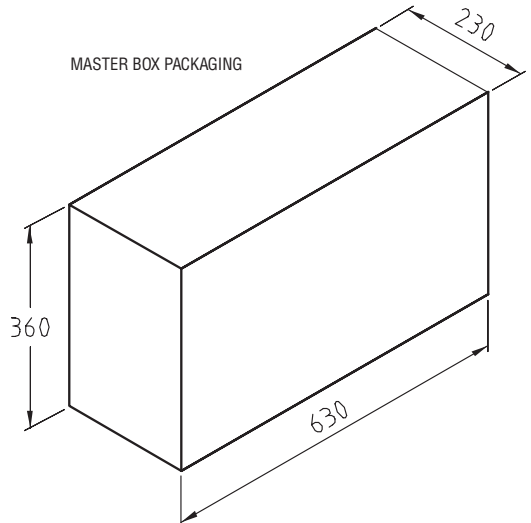
ANTISTATIC PLASTIC TUBE  
No. of Devices 50



PIT BOX PACKAGING  
No. of Devices 4800

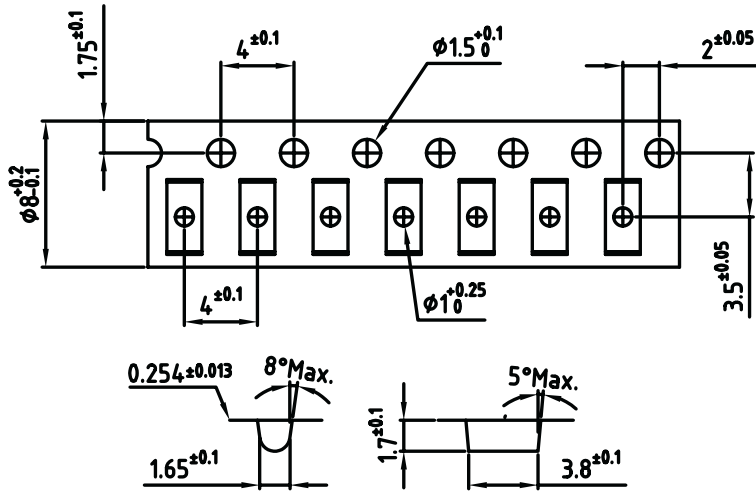


MASTER BOX PACKAGING





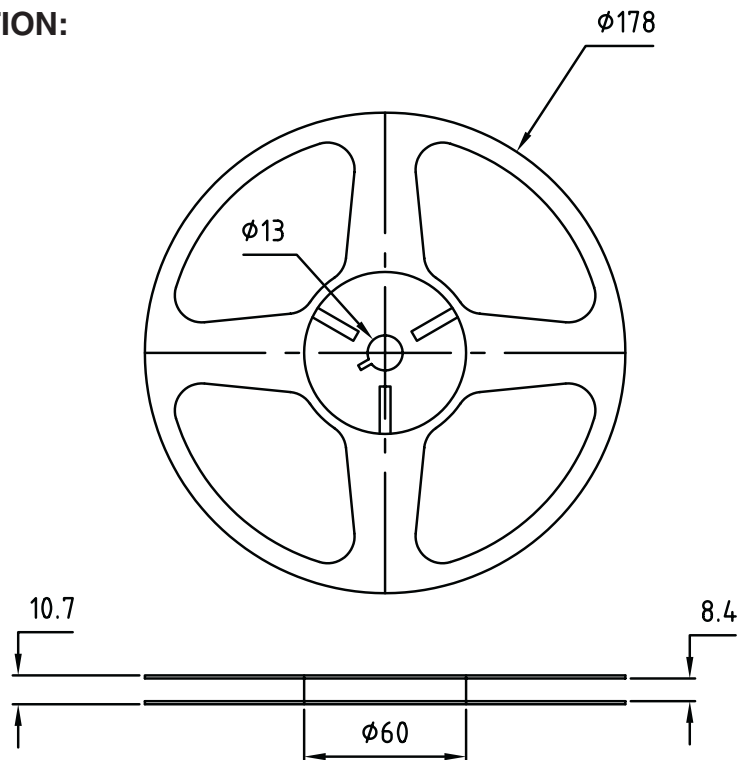
### TAPING SPECIFICATION:



Notes:

1. Maximum of 0.5% of the total number of components per reel may be missing-exclusively at the beginning and at the end of the reel.
2. A maximum of three consecutive components may be missing provided this gap is followed by six consecutive components.

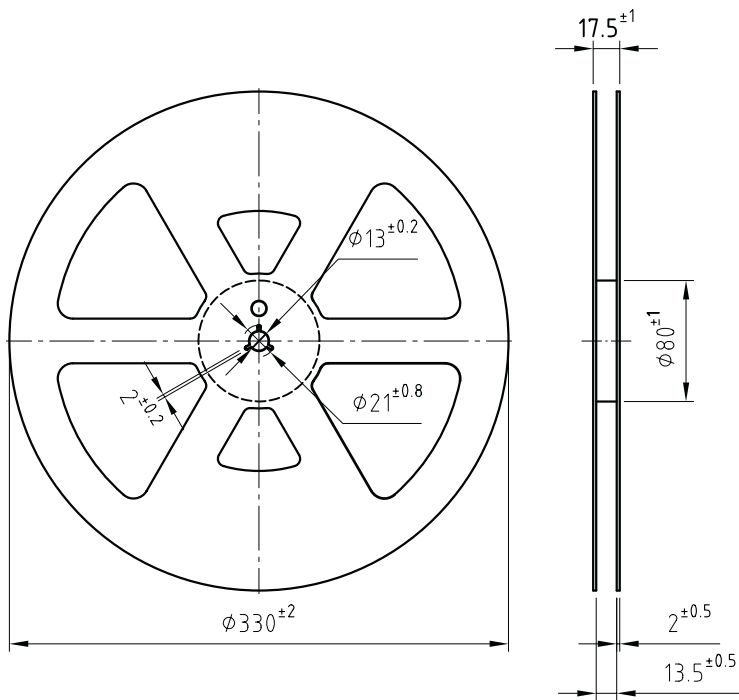
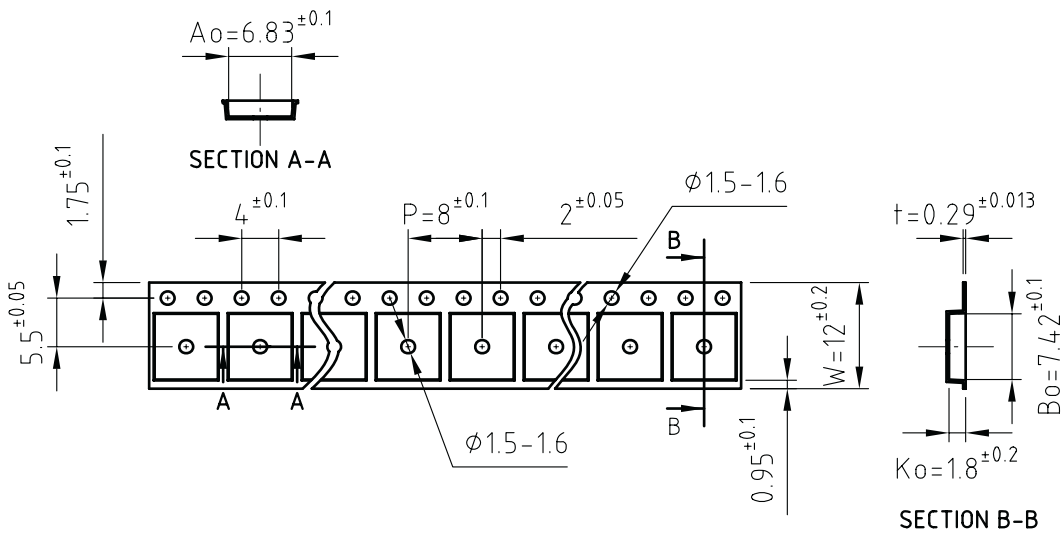
### REEL SPECIFICATION:



### Packing Detail:

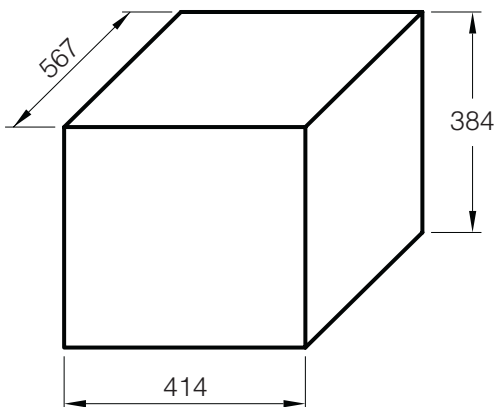
PACKAGE	STANDARD PACK		INNER CARTON BOX		OUTTER CARTON BOX		
	Details	Net Weight /Qty	Size	Qty	Size	Qty	Gr Wt
SOD80C TR	2.5K/reel	66.7 gm/2.5K	194 x 185 x 120 mm	25K	395 x 265 x 223 mm	100 K	5.99 kg

**CARRIER TAPE**

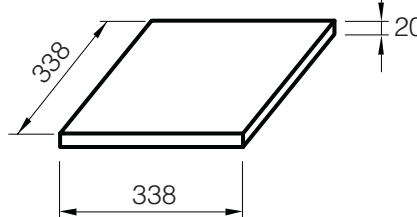


**RB PLASTIC REEL  
2.5K**

**MASTER BOX**



**PIZZA BOX**



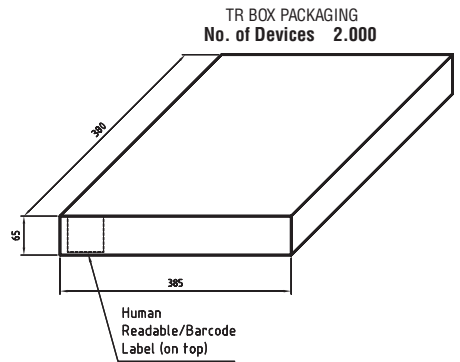
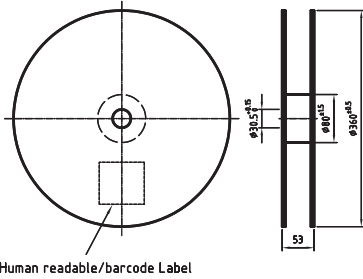
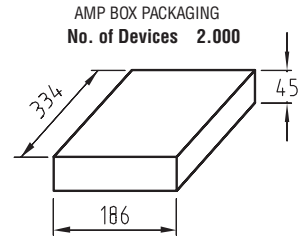
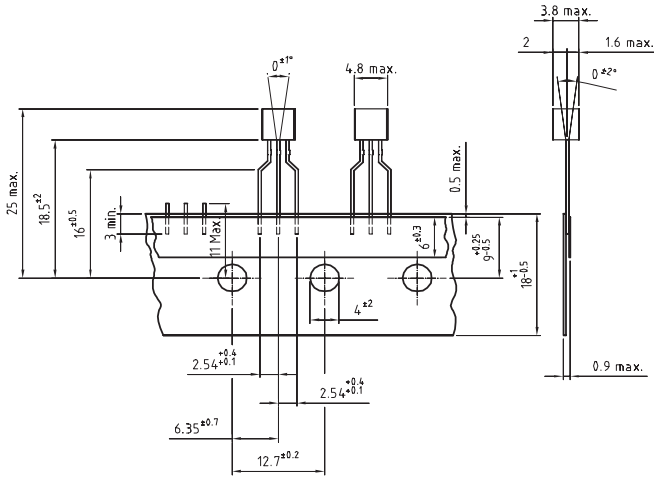
**RB BOX  
PACKAGING**



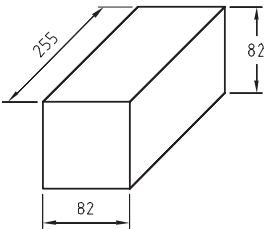
Packaging Specifications

Dimensions in mm.

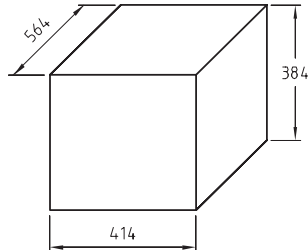
TO-92



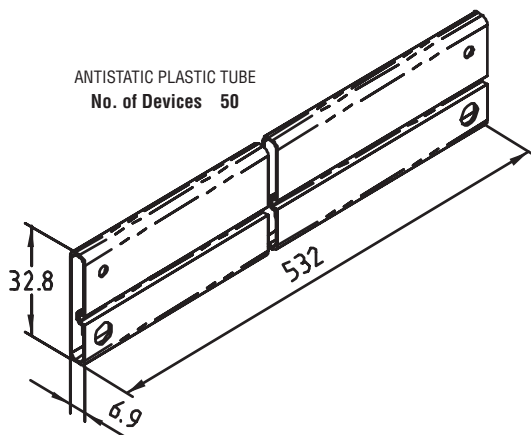
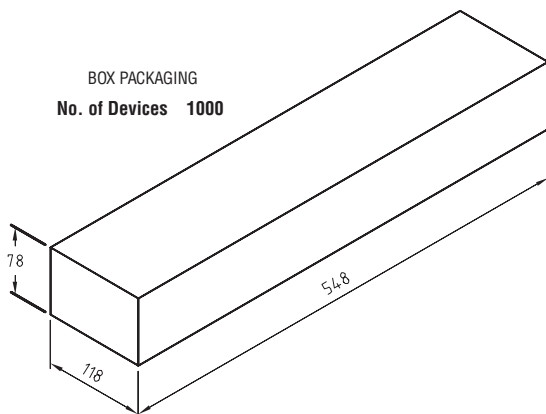
BULK BOX PACKAGING  
No. of Devices 2.500



BULK MASTER BOX



TO-220AB

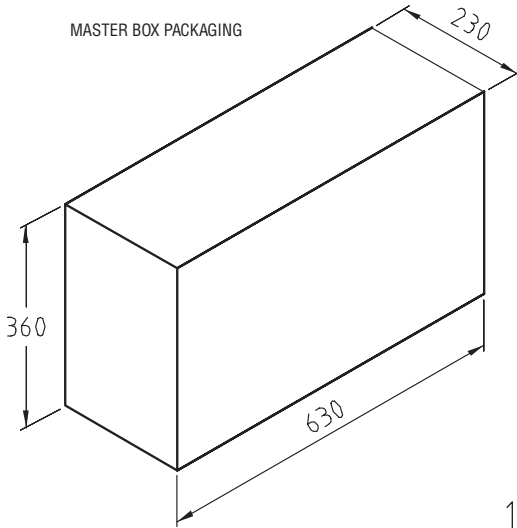


Packaging Specifications

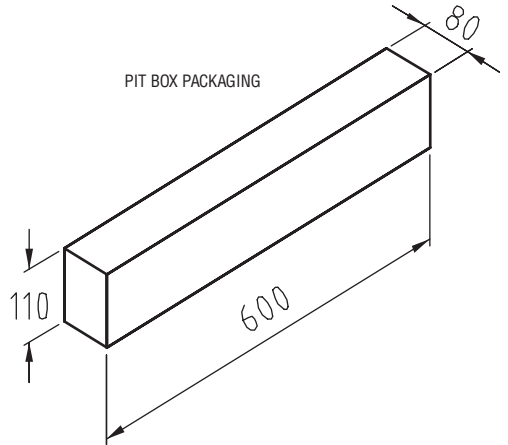
Dimensions in mm.

TO-220F

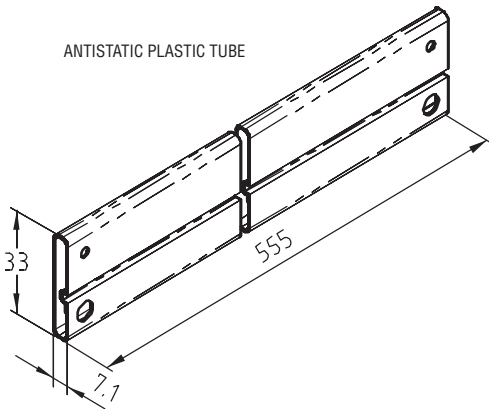
MASTER BOX PACKAGING



PIT BOX PACKAGING



ANTISTATIC PLASTIC TUBE



MATERIALS	QUANTITY
TUBE	50
PIT BOX	1000
MASTER BOX	8000 / 8 boxes

TO-225AA & TO-126

**BULK BOX PACKAGING**  
**No. of Devices 3000**

